

LED STREET LIGHT

2023

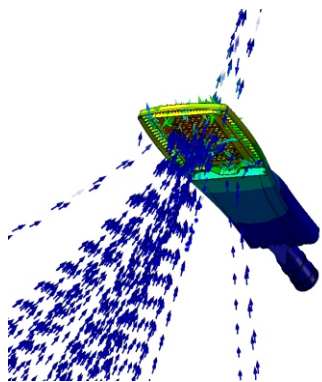


OVERVIEW

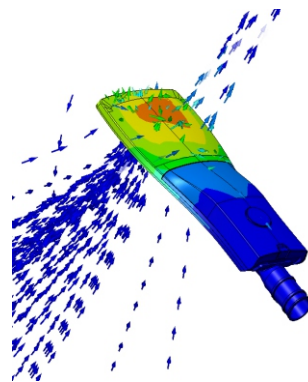


THERMAL MANAGEMENT

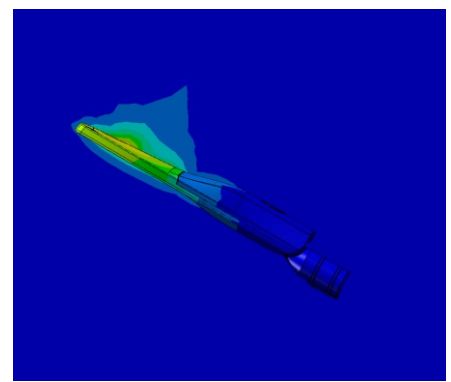
Structure is optimized by advanced FEA technology. Achieving longer lifespan at best cost-efficiency.



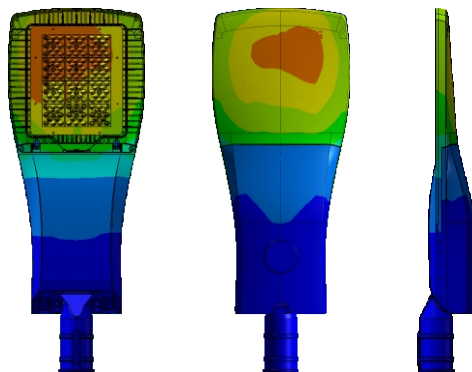
Thermal Air Convection



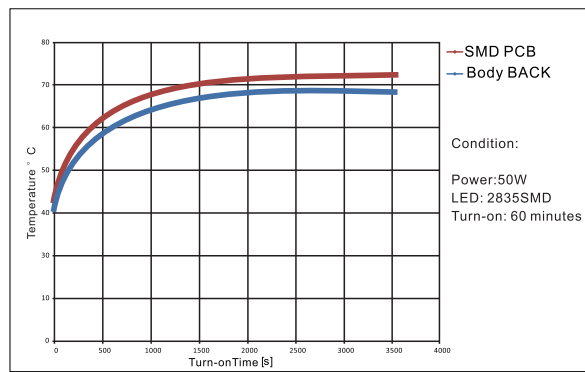
Thermal Air Convection



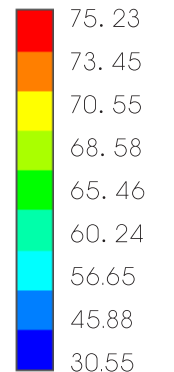
Thermal Air Flow



Thermal Conductivity



Temperature Rise Curve



Unit : °C

EXPLODED

ADC12 Die-casting aluminum body,
Thermal efficiency up to 96W/M.K

Highly thermal conductive aluminum PCB

High lumen 3030 SMD light source

UV-proof optical lens

High temperature resistant,
UV-proof nano-reflector

Waterproof silicone gel

Tempered glass cover

Independently removable
back cover with LED driver in it.
Quick connection terminal.
Tool-free structure



OPTIONAL



Without sensor **OR** With sensor

APPLICATIONS

Widely applicable to road, expressways, parks, plazas and villas.

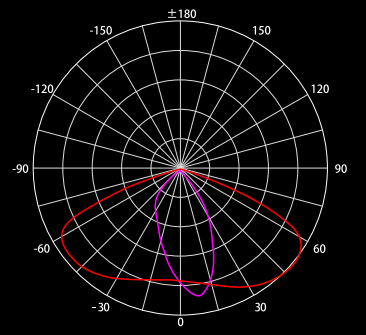
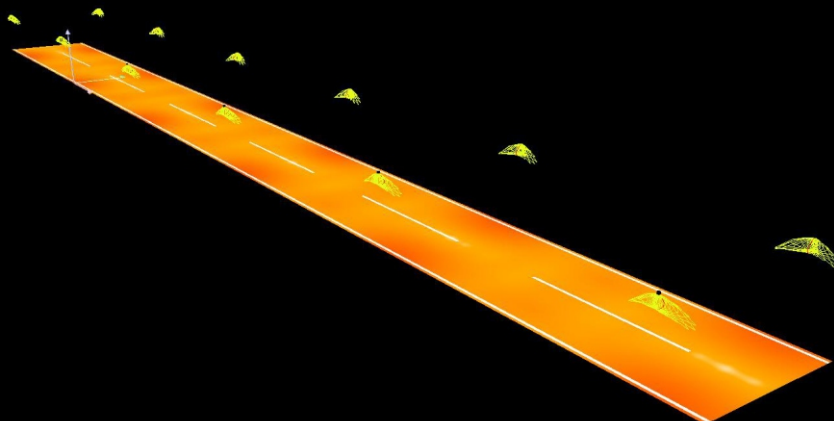
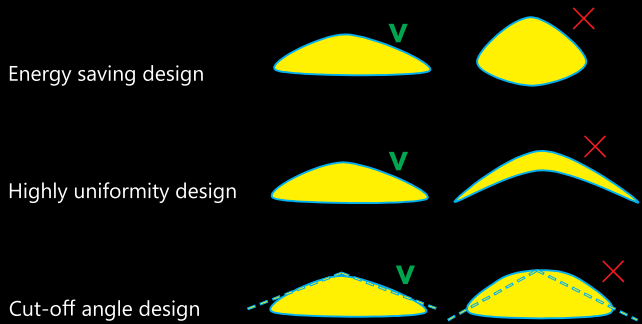


*Thermal Air Convection
Wind-proof Design*

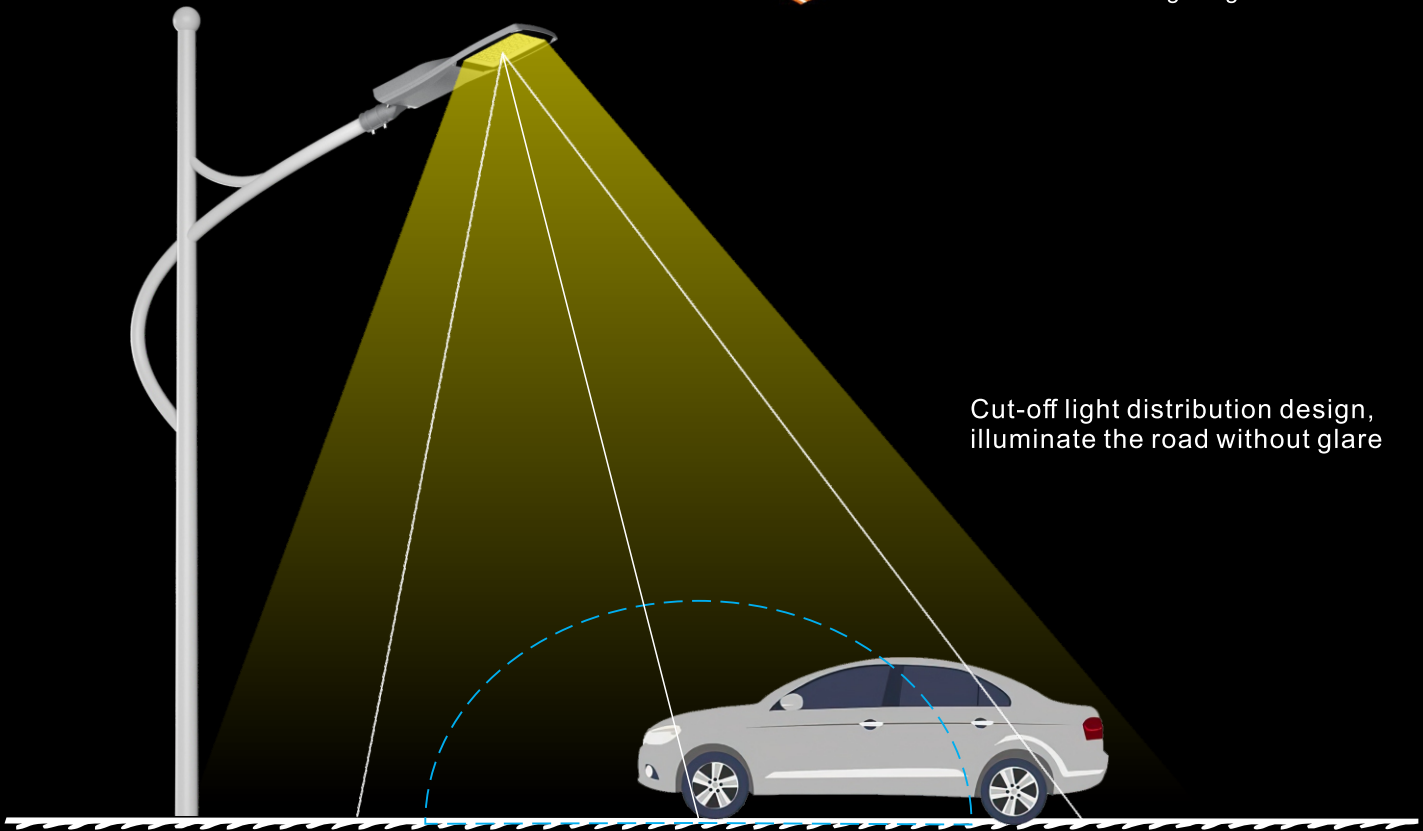
OPTICS

Tech. Support: Tell us the room length, width, height and the usage.

We have an engineer team to respond the DIALUX simulations for lights quantity calculation and effects. ies files are available upon request.



75x150 deg
C Plane Lighting Distributions

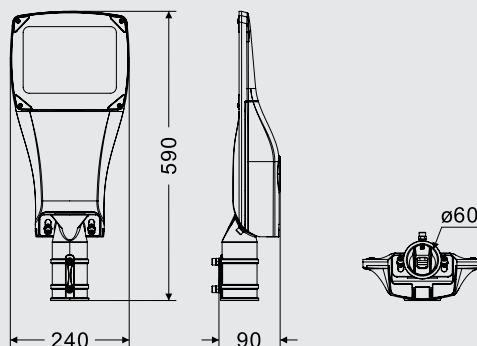


MAIN PARAMETERS



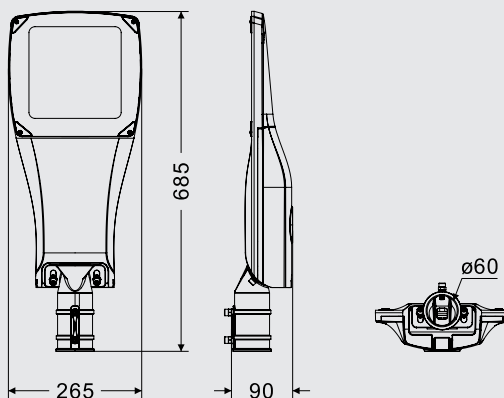
30-60W

Power: 30-60W
 Size: 240*90*590mm
 Light source: SMD3030/5050
 Lumen: 160LM
 CCT. : 3000K/4000K/6500K
 CRI. : 80
 Waterproof: IP66
 SPD: 6KV
 Input voltage: AC85-265V
 Beam angle: 75*150
 PF: ≥ 0.9
 Material: Aluminum+PC+Glass
 Line Length: 3*1.0
 Warranty: 3/5 years



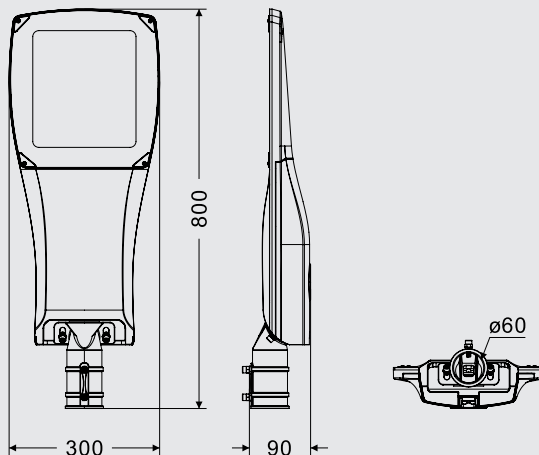
80-120W

Power: 80-120W
 Size: 265*90*685mm
 Light source: SMD3030/5050
 Lumen: 160LM
 CCT. : 3000K/4000K/6500K
 CRI. : 80
 Waterproof: IP66
 SPD: 6KV
 Input voltage: AC85-265V
 Beam angle: 75*150
 PF: ≥ 0.9
 Material: Aluminum+PC+Glass
 Line Length: 3*1.0
 Warranty: 3/5 years



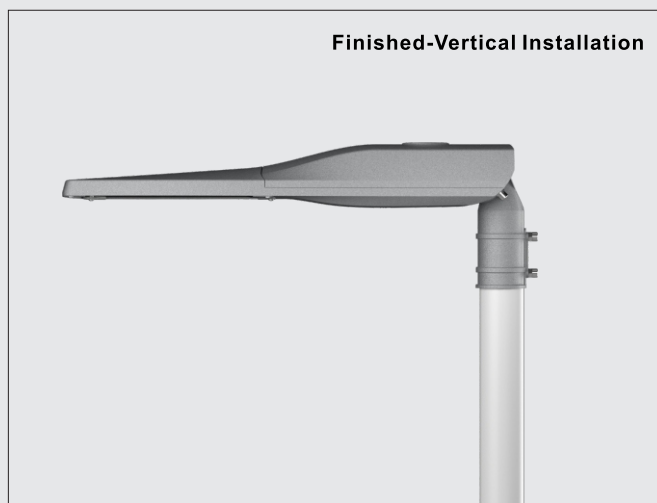
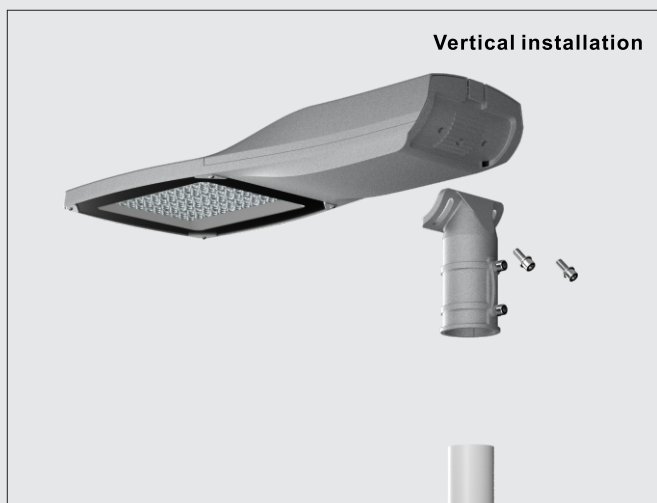
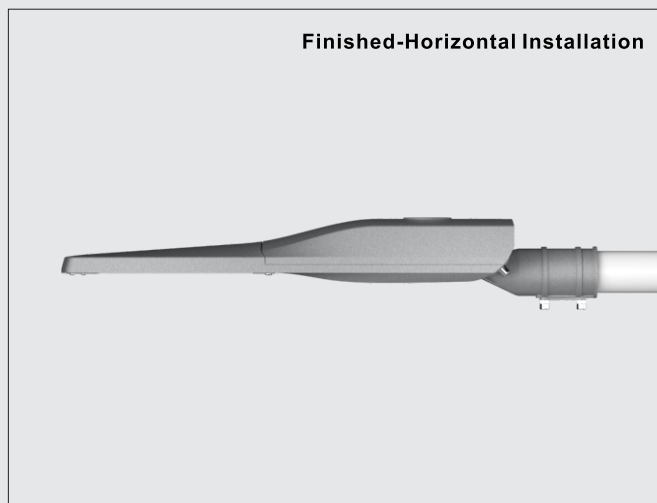
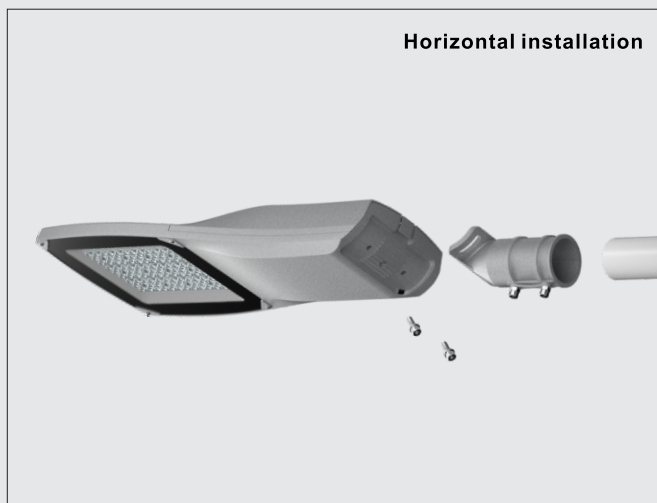
120-200W

Power: 120-200W
 Size: 300*90*800mm
 Light source: SMD3030/5050
 Lumen: 160LM
 CCT. : 3000K/4000K/6500K
 CRI. : 80
 Waterproof: IP66
 SPD: 6KV
 Input voltage: AC85-265V
 Beam angle: 75*150
 PF: ≥ 0.9
 Material: Aluminum+PC+Glass
 Line Length: 3*1.0
 Warranty: 3/5 years



INSTALLATION INSTRUCTIONS

Two installation methods



PACKING



Power	30-60W	80-120W	120-200W
Inner box size	-	-	-
Outer box size	500*330*160mm	600*355*160mm	720*395*160mm
Qty/CTN	1pcs	1pcs	1pcs
20GP	1,061	822	615
40GP	2,197	1,702	1,275
40HP	2,576	1,995	1,494

FEATURES

The electrical parts can be taken out independently. If the driver failed after installation, a new driver can be installed to the old luminaire without take it off the pole..



1. Independently removable back cover with LED driver in it.



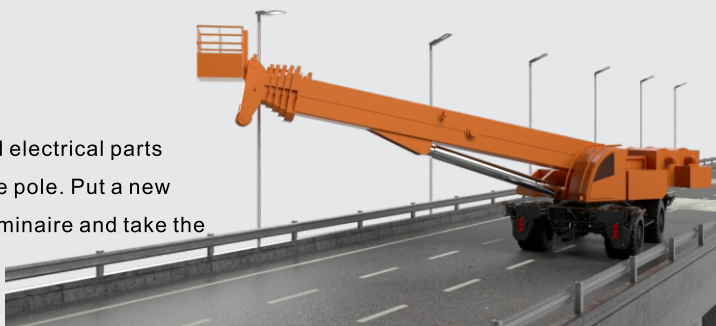
2. Too-free open the back cover without take it off the pole.



3. Removable back cover and quick connection terminal.



4. Change the failed electrical parts without take it off the pole. Put a new back cover to the luminaire and take the failed one to ground at one time.



CAUTIONS:

1. Installation must be done by professional electricians.
2. Do NOT take apart the product. It may be dangerous.
3. Do NOT stare at the light with naked eyes. It is harmful to eyes.
4. For outdoor lighting, waterproof measurements must be done to the cable terminals.

WARRANTY:

1. All LED street lights are warranted by the manufacturer to be free of defects in material and workmanship for 2 years.
2. Warranty becomes void if the products is modified, improperly installed or used, damaged by accident or neglect, or if any parts are improperly installed or replaced by the user,
3. During the period of warranty time, if some products of us fails during normal circumstances and applications or have any defects above defined, we shall at our own choice replace or repair the defective products at no charge. And the liability claims would NOT exceed the value of the product itself.

